



HEATED GREASE TRANSPORT CADDY

10SS-NA-H

75 LB. / 10 GAL. SHORTENING CAPACITY

Drain used grease into caddy. System includes extra-large grill sediment basket. Close the caddy lid, secure the lid with the safety latch, and carefully pull the cart slowly to the used oil storage tank or pumping station. Plug the caddy into a live outlet to keep the grease in liquid state. Connect the hose from the grease caddy to a Frontline International storage tank fill station and simply pump used grease.

CONSTRUCTION AND FEATURES

- 100% heavy stainless steel construction
- Smooth rolling heavy-duty, non-mark casters
- Swivel front casters with brakes
- Extra-large crumb-catcher basket
- Breakaway power cord with cord wrap
- Removable handle
- Modified, lock-in-place safety cover
- Easy, quick-disconnect fittings
- High-temperature hose
- 110 V 15 A - 250 V 3.5 A industrial 1/2HP motor
- Specially designed 5-gallon (19 l) per minute pump
- Roller pump will not “shear” oil during filtration
- Special filter screen to protect pump
- Easy-to-clean, seamless construction
- UL, UL Sanitation (NSF) Listed
- One-year warranty on all components

Frontline International's Shortening Filtration Upgrade Kit allows any Waste Shortening Transport Caddy to become a state-of-the-art, heavy-duty oil filtration machine.



Installation and Operating Specifications

Model	10SS-NA-H
Size	32 in. l, 12 in. w, 9.5 in. h (813 mm x 305 mm x 241.3 mm)
Power	110 V 15 A - 250 V 3.5 A, 50/60 Hz
Capacity	75 lb /10 gal (34 kg/37.8 l)
Ship Wt.	125 lbs (56.7 kg)

Heated caddy keeps grease from coagulating. Extra-large crumb-catcher basket protects pump and maintains high-quality yields



Frontline International, Inc.

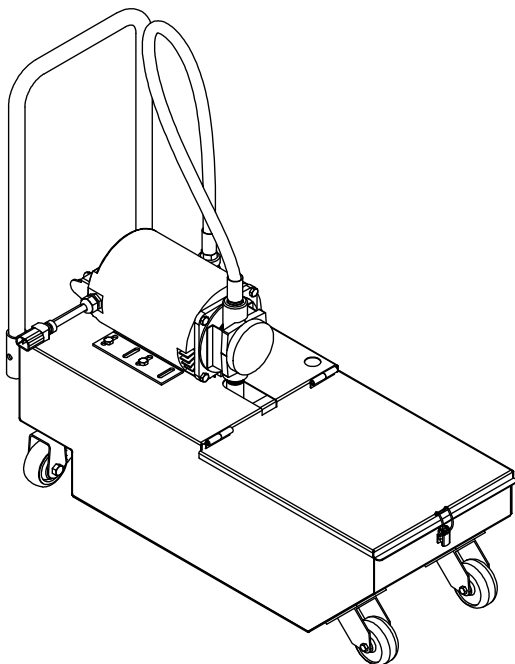
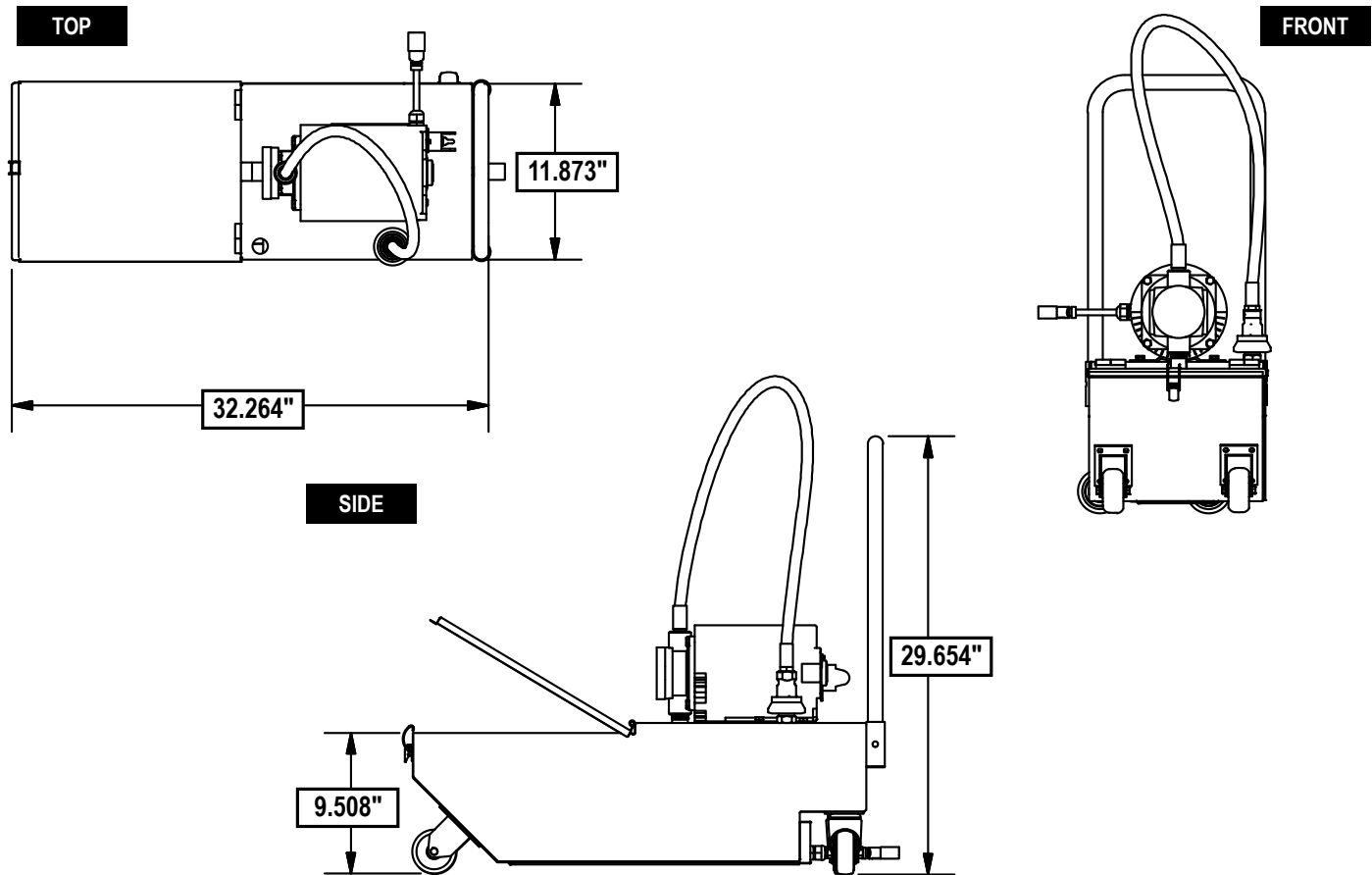
187 Ascot Parkway • Cuyahoga Falls, Ohio 44223
330-861-1100 • 877-776-1100 • frontlineii.com
Fax: 330-861-1105 • info@frontlineii.com

FRONTLINE
international

© Frontline International, 10/16

HEATED GREASE TRANSPORT CADDY

MODEL 10SS-NA-H



IMPORTANT

- The appliance is not to be used by persons (including children) with reduced physical, sensory or mental capabilities, or lack of experience and knowledge, unless they have been given supervision or instruction.
- Children should be supervised to ensure that they do not play with the appliance.
- If the supply cord is damaged, it must be replaced by the manufacturer, its service agent or similarly qualified persons in order to avoid a hazard.
- Not intended to be operated by means of an external timer or a separate remote-control system.
- This appliance is intended to be used in commercial kitchen applications.

Frontline International, Inc.

187 Ascot Parkway • Cuyahoga Falls, Ohio 44223
330-861-1100 • 877-776-1100 • frontlineii.com
Fax: 330-861-1105 • info@frontlineii.com

FRONTLINE
international

© Frontline International, 10/16